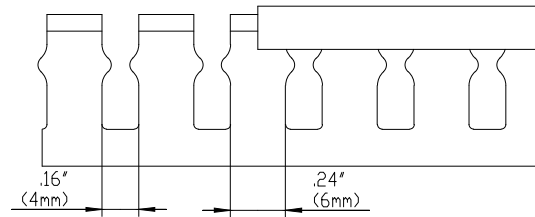
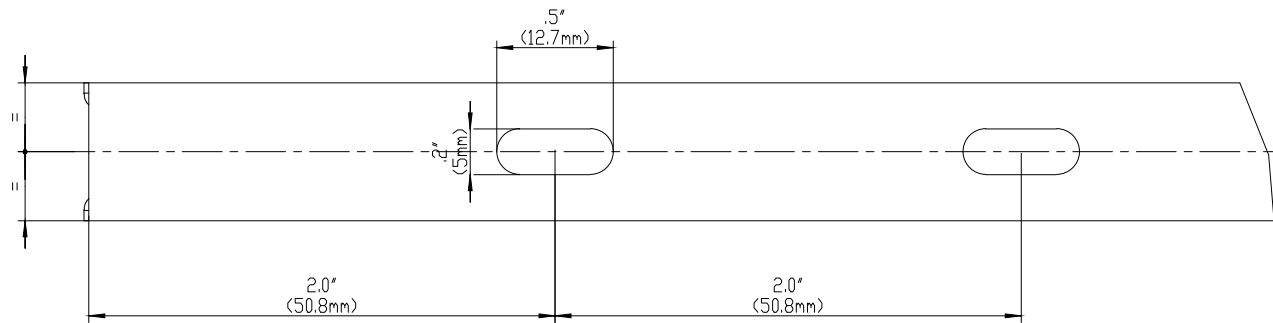


FRONT SECTION



SIDE SECTION



BASE PERFORATION

:hager

DWG# NAB-0506xHD